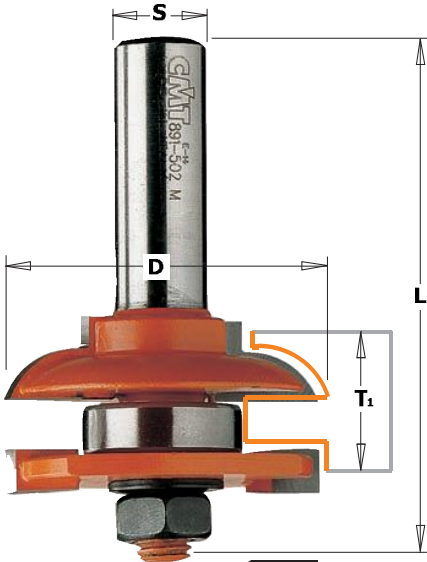


Rail & Stile sets



8/991.5



A well-constructed door will bear the mark of a perfect joint-clean, exact and well-crafted for strength. For this project, the CMT male-female rail and stile sets are the perfect pair. Made to our specifications they match exactly; not simply approximated like standard reversible cutters.

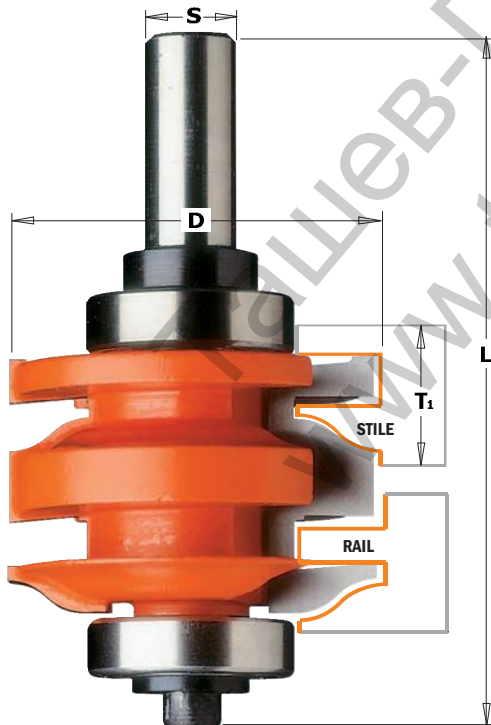
Choose the style of CMT rail and stile set that best suits your needs and create smooth, perfect joints in hard and soft woods with accuracy and speed. Perfect for working in stock from 18mm to 22mm. See chart and illustrations below for profile options available.



Drawings are 1:1 scale

Profile	D mm	L mm	T ₁ mm	ORDER NO.	ORDER NO.	ORDER NO.	Spare parts										
				S=Ø8mm	S=Ø12mm	S=Ø12,7mm											
A	44,4	71	18 ÷ 22	991.001.11	991.501.11	891.501.11	822.003.11	791.012.00	541.515.00	514.516.00	990.407.00	990.020.00					
B	44,4	71	18 ÷ 22	991.502.11	891.502.11	891.502.11	822.003.11	791.012.00	541.515.00	514.516.00	990.407.00	990.020.00					
C	44,4	71	18 ÷ 22	991.503.11	891.503.11	891.503.11	822.003.11	791.012.00	541.515.00	514.516.00	990.407.00	990.020.00					

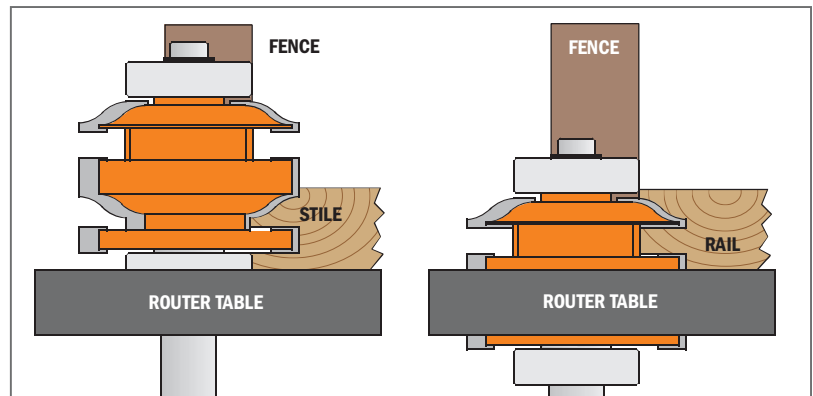
Rail & Stile sets



8/991.521



The most innovative bit for the construction of furniture doors and drawers. The new CMT One-Piece Rail and Stile Bit represents the union of two cutters in one bit. By simply adjusting the height of the bit, you can cut two perfectly joining profiles with no wasted time or effort moving the fence or changing the bit. Save money by investing in a single CMT bit and a more efficient production. For working in stock from 18mm to 22,2mm.



Profile	D mm	L mm	T ₁ mm	ORDER NO.	ORDER NO.	Spare parts											
				S=Ø12mm	S=Ø12,7mm												
A	50,87	87,5	18 ÷ 22		891.521.11	791.027.00	541.002.00	990.005.00	991.056.00	541.551.00	990.010.00	991.064.00					
A	50,87	87,5	18 ÷ 22	991.521.11		791.027.00	541.005.00	990.005.00	991.056.00	541.551.00	990.010.00	991.064.00					